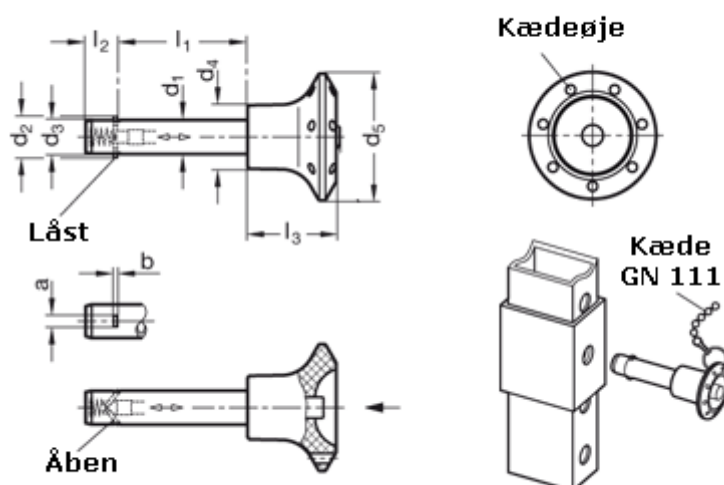


Article number: 201092684
 Description: E+G Stainless lock pin
 GN 114.3-12-50

Measures



a	= 3,8	l1 = 50
b	= 1	l2 = 11,3
Clamping force (kN)	= 60	l3 = 26
d1	= 12	
d2	= 14,8	
d3	= 11,9	
d4	= 18	
d5	= 34	